

OWAtecta®



# OWAtecta® cleanRoom

Ceiling systems  
for sensitive areas  
T-Grid, I-Grid  
C-Grid, D-Grid



# OWAtecta® cleanRoom

## Ceiling systems for sensitive areas T-Grid – exposed system

### Technical Data T-Grid:

**Product line:**  
OWAtecta® cleanRoom

**Dimension between centre  
(Width x Length):**  
1200 x 2400 mm

**Thickness:**  
50 mm

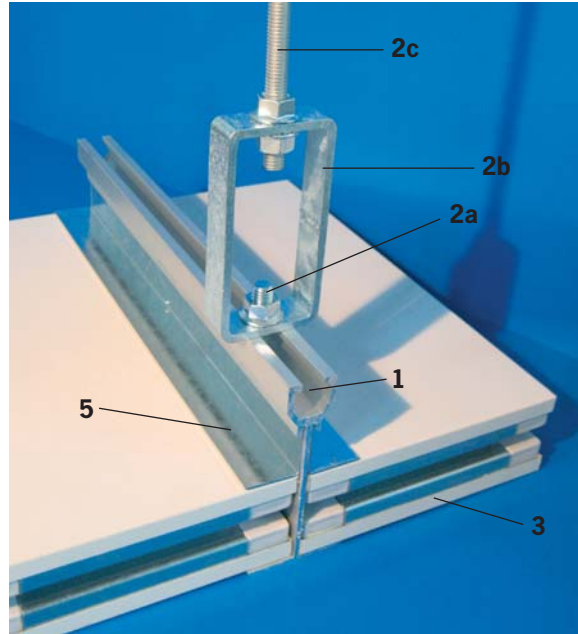
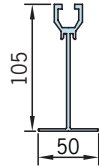
**Building material class:**  
B-s2,d0 (EN 13501-1)

**Fire resistance:**  
on request

**Core materials filled in panel:**  
Paper honeycomb  
Aluminium honeycomb  
Expanded Polystyrene (XPS)

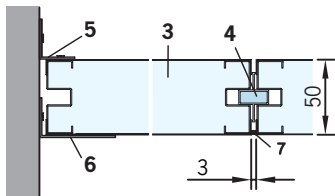
**Sheet Steel surface treatment:**  
Enameled Paint (Standard close to RAL 9002)  
Antistatic Steel  
Surface color can be customized to clients' demand

**Use:**  
Electronic and precision industries  
Hygiene and clean areas  
Pharmaceutical and foodstuff industries

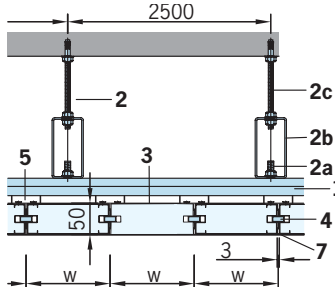


- 1 T-profile – max. dimension between centre 2400 mm
- 2 Suspension hanger – dimension between centre 1800 – 2400 mm (dependent on load)  
Suspension hanger contains of:
  - 2a T-screw bolt
  - 2b Adjuster
  - 2c Threaded rod M 10
- 3 Ceiling panel
- 4 Central aluminium joint
- 5 L-steel ceiling fastener
- 6 L-type as perimeter trim
- 7 Gap filled with elastic joint seal

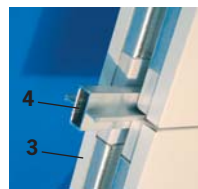
### Wall connection



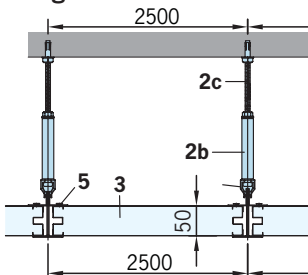
### Cross section



### Panel connection



### Longitudinal section



OWAtecta®

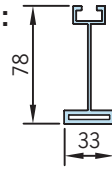


# OWAtecta® cleanRoom

## Ceiling systems for sensitive areas I-Grid – concealed system



### Technical Data I-Grid:



**Product line:**  
OWAtecta® cleanRoom

**Dimension between centre  
(Width x Length):**  
1200 x 2400 mm

**Thickness:**  
50 mm

**Building material class:**  
B2-s1,d0 (EN 13501-1)

**Fire resistance:**  
on request

### Core materials filled in panel:

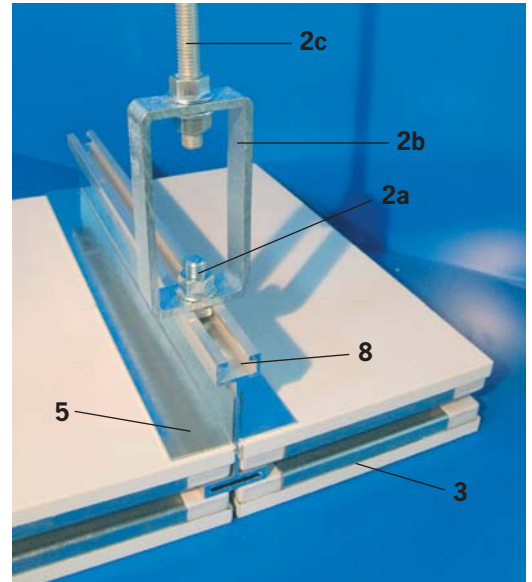
Paper honeycomb  
Aluminium honeycomb  
Expanded Polystyrene (XPS)

### Sheet Steel surface treatment:

Enameled Paint (Standard close to RAL 9002)  
Antistatic Steel  
Surface color can be customized to clients' demand

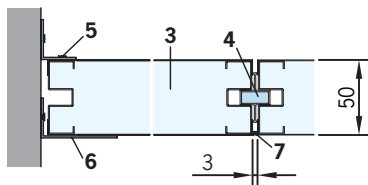
### Use:

Electronic and precision industries  
Hygiene and clean areas  
Pharmaceutical and foodstuff industries

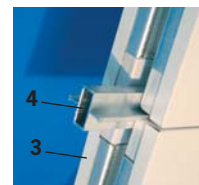


- 8** I-profile –  
max. dimension between centre 2400 mm
- 2** Suspension hanger –  
dimension between centre 1800 – 2400 mm  
(dependent on load)  
Suspension hanger contains of:
- 2a** T-screw bolt
- 2b** Adjuster
- 2c** Threaded rod M 10
- 3** Ceiling panel
- 4** Central aluminium joint
- 5** L-steel ceiling fastener
- 6** L-type as perimeter trim
- 7** Gap filled with elastic joint seal

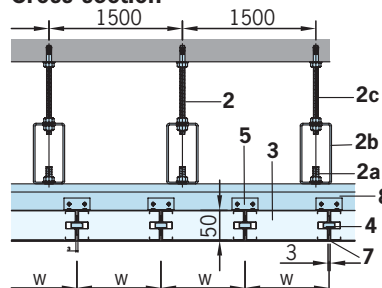
### Wall connection



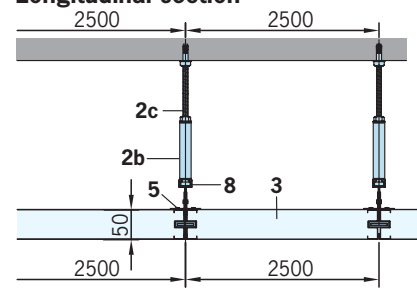
### Panel connection



### Cross section



### Longitudinal section



# OWAtecta® cleanRoom

## Ceiling systems for sensitive areas D-Grid

### Technical Data D-Grid:

**Product line:**  
OWAtecta® cleanRoom

**Dimension between centre  
(Width x Length):**  
1200 x 2400 mm

**Thickness:**  
50 mm

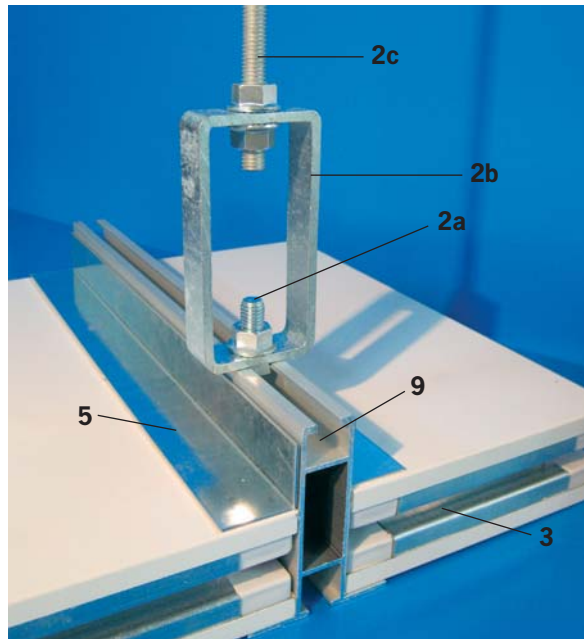
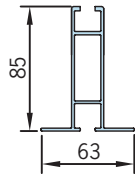
**Building material class:**  
B2-s1,d0 (EN 13501-4)

**Fire resistance:**  
on request

**Core materials filled in panel:**  
Paper honeycomb  
Aluminium honeycomb  
Expanded Polystyrene (XPS)

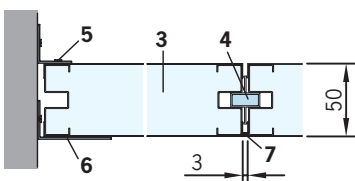
**Sheet Steel surface treatment:**  
Enameled Paint  
Antistatic Steel  
Surface color can be customized to  
clients' demand

**Use:**  
Electronic and precision industries  
Hygiene and clean areas  
Pharmaceutical and foodstuff industries

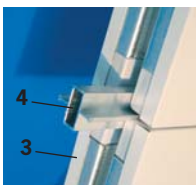


- 9** D-profile – max. dimension between centre 1200 mm
- 2** Suspension hanger – dimension between centre 1800 – 2400 mm (dependent on load)  
Suspension hanger contains of:
  - 2a** T-screw bolt
  - 2b** Adjuster
  - 2c** Threaded rod M 10
- 3** Ceiling panel
- 4** Central aluminium joint
- 5** L-steel ceiling fastener
- 6** L-type as perimeter trim
- 7** Gap filled with elastic joint seal

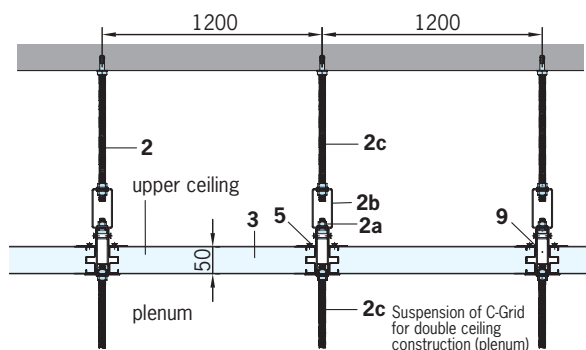
### Wall connection



### Panel connection



### Longitudinal section



### Note:

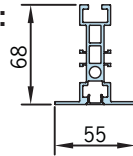
D-Grid is to be used solely in connection with C-Grid! (plenum)



# OWAtecta® cleanRoom

## Ceiling systems for sensitive areas C-Grid – exposed system

### Technical Data C-Grid:



**Product line:**  
OWAtecta® cleanRoom

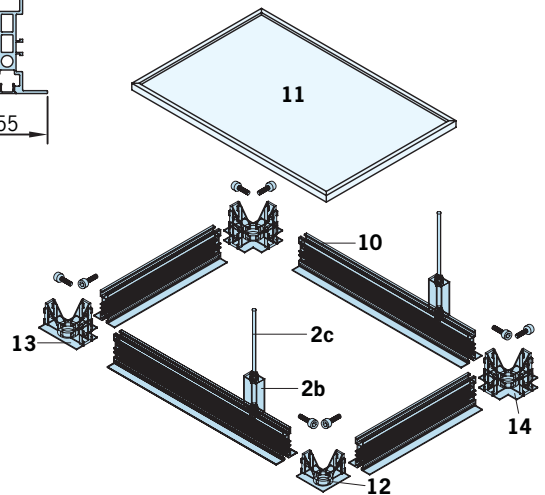
**Dimension between centre  
(Width x Length):**  
600 x 1200 mm  
1200 x 1200 mm

**Thickness:**  
1,2 mm<sup>1</sup> / 1,6 mm / 2,0 mm

**Sheet Steel surface treatment:**  
Enameled Paint  
Antistatic Steel  
Surface color can be customized to  
clients' demand

**Use:**  
Electronic and precision industries  
Hygiene and clean areas  
Pharmaceutical and foodstuff industries

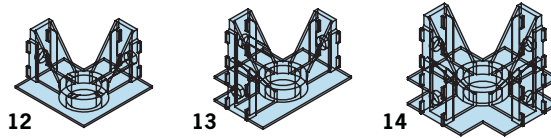
<sup>1</sup> for 600 x 1200 mm only



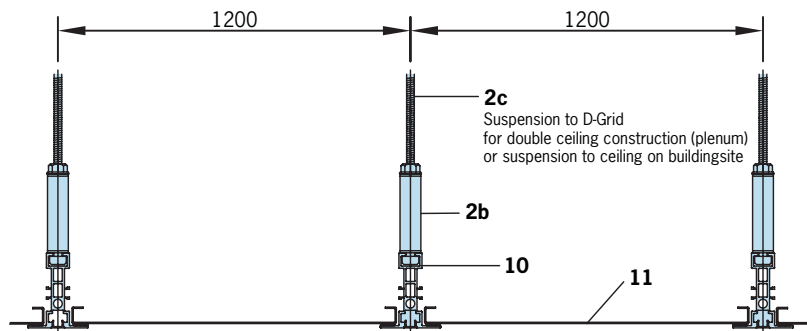
- 10** C-profile –  
max. dimension between centre 1200 mm
- 2** Suspension hanger –  
max. dimension between centre 1200 mm  
Suspension hanger contains of:
  - 2a** T-screw bolt
  - 2b** Adjuster
  - 2c** Threaded rod M 10
- 11** Metal panel<sup>2</sup>
- 12** L-joint
- 13** T-joint
- 14** Cross joint

<sup>2</sup> Ceiling panel (no. 3) of T- and I-Grid  
also suitable

### System connectors



### Longitudinal section





# OWAtecta® cleanRoom

## Ceiling systems for sensitive areas

### Material requirements per m<sup>2</sup> for ceiling systems T, I, D and C (values for orientation):

Ceiling system Dimension between centre	T-Grid 1200 x 2400 mm	I-Grid 1200 x 2400 mm	D-Grid 1200 x 2400 mm	C-Grid 600 x 1200 mm 1200 x 1200 mm
Suspension hanger – max. dimension between centre	2400 mm	2400 mm	2400 mm	1200 mm
Profile according grid type – max. dimension between centre	2400 mm	2400 mm	1200 mm	1200 mm
Threaded rod M 10	0.17 pcs	0.17 pcs	0.35 pcs	0.70 pcs
Flange Nut M 10	0.17 pcs	0.17 pcs	0.35 pcs	0.70 pcs
Adjuster	0.17 pcs	0.17 pcs	0.35 pcs	0.70 pcs
T-screw bold	0.17 pcs	0.17 pcs	0.35 pcs	0.70 pcs
Profile according grid type	0.42 m	0.42 m	0.83 m	2.49/1.66 m
Central joint	0.83 m	0.83 m	0.83 m	–
Ceiling panel	0.35 pcs	0.35 pcs	0.35 pcs	1.40/0.70 pcs
L-steel ceiling fastener	according to room size			
L-type as perimeter trim	according to room size			

### OWAtecta® CleanRoom – Ceiling systems for sensitive areas

There are four ceiling systems: T-Grid, I-Grid, D-Grid and C-Grid. These ceiling systems can meet requirements of a wide range of clean room grades and can be combined to reach even higher clean room standards.

These ceiling systems can also be combined with the OWAtecta® CleanRoom – Partition systems.

Information is provided in the brochure OWAtecta® CleanRoom – Partition systems for sensitive areas.

This brochure solely gives a summary of technical characteristics of the ceiling systems.

Requirements according to cleanroom types and classes as well as fire resistance etc. must be predetermined by the executive specialist consultant cleanrooms.

All technical equipment required must be suspended from the raw ceiling dependent on their weights. This must be clarified before installation. All system inherent joints are prepared to be sealed with silicone according to the requirements of different cleanroom areas.

### Guarantee and liability

All system relevant data and statements correspond to the current technology. They assume the exclusive application of OWA products and system components, the interdependent behaviour of which is confirmed by internal and external testing. When they are used in combination with non OWA products and system components, any warranties or guarantees are invalidated and liability will not be accepted. OWA reserves the right to make any technical alterations to improve either product or system development. **All goods are supplied in accordance with our general sale and delivery terms.**